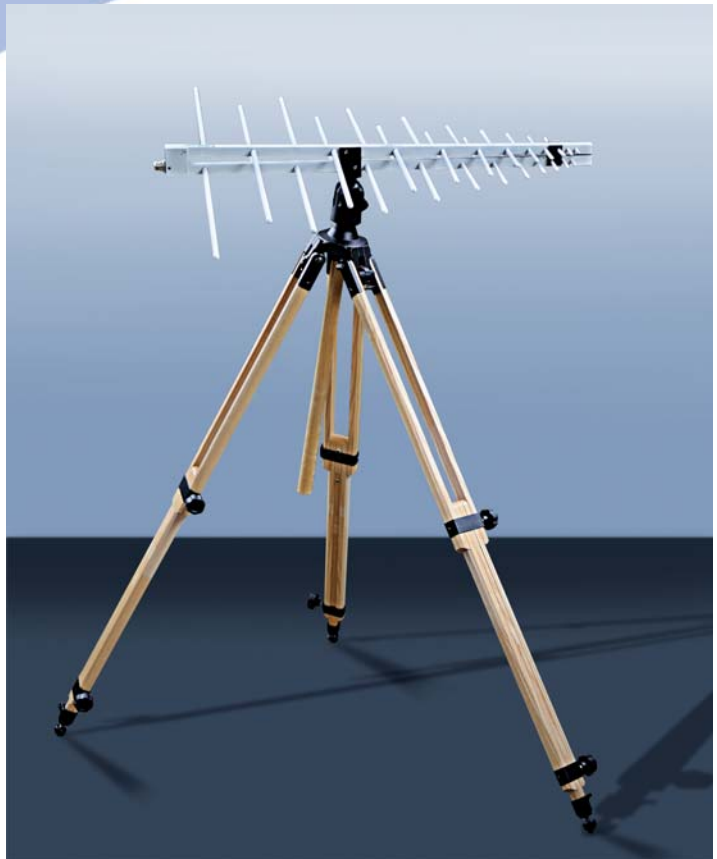




PMM LP-02

Log-periodic antenna 0,2-3 GHz



Main features

- 200 MHz to 3 GHz frequency range
- Excellent Antenna Factor
- Tripod adapter for easy vertical-horizontal polarization change
- Individual calibration
- Robust, rustproof aluminium construction
- Lightweight

PMM LP-02 is a log-periodic antenna designed for application in radiated EMC.

It can be used in conjunction with any Receiver or Spectrum Analyzer.

Its ideal companion is the EMI Receiver Unit PMM 9030 that can be easily mounted on the antenna mast (*).

Also available in portable, convenient Antenna Sets:

- AS-02 (30 MHz - 3 GHz) including the Antenna models BC-01 & LP-02
- AS-03 (30 MHz - 6 GHz) including the Antenna models BC-01, LP-02 & LP-03

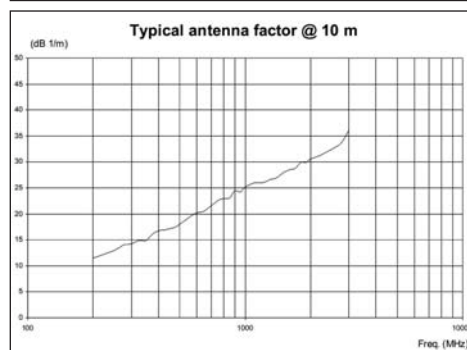
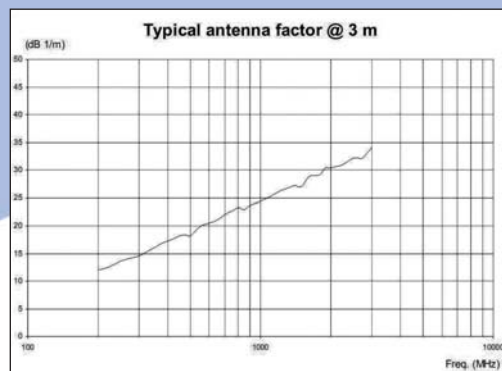
(*) The direct connection between antenna and Receiver Unit PMM 9030 eliminates additional sources of uncertainties due to coaxial cable attenuation and scattering. For further information please consult our brochure "Fully CISPR-Compliant Digital EMC/EMI receivers 10 Hz - 6 GHz".



PMM LP-02

Log-periodic antenna 0,2-3 GHz

SPECIFICATIONS	LP-02
Frequency range	200 MHz - 3 GHz
Impedance	50 Ω nominal
Connector	Type N (F)
Gain	6 dB typical
Antenna Factor	13 / 36 dB typical
VSWR	< 2:1 (1,2:1 typical)
Max. input power	100 W up to 1 GHz 50 W up to 3 GHz
Construction	Aluminium
Finishing	RAL 7035
Mounting	Tripod adapter, supplied
Dimensions	W 86 cm L 70 cm H 10 cm
Weight	1,1 kg



Ordering information

LP-02 with individual calibration report
 LP-02/TC with typical calibration report

Includes:

CC01 Soft carrying case
 Operating Manual

Optional accessories

TR-01 Wooden tripod extensible 60 - 180 cm with antenna mounting
 adapter for fast horizontal to vertical polarization changing
 RF Cable/5 RF cable, N-N connector, length 5 m



* Names and Logo are registered trademarks of Narda Safety Test Solutions GmbH and L3 Communications Holdings, Inc. - Trade names are trademarks of the owners.

Narda Safety Test Solutions srl

Via Leonardo da Vinci, 21/23
 20090 Segrate (MI) ITALY
 Phone: +39 02 26 998 71
 Fax: +39 02 26 998 700
 E-Mail: support@narda-sts.it
 www.narda-sts.it