

Load Washer

Typ 9101A ... 9104A

0 ... 20 kN until 0 ... 140 kN

Force sensor for measuring quasistatic and dynamic forces in industrial monitoring tasks.

The force sensors are delivered **uncalibrated** and must be calibrated in situ **after** mounting.

- Large measuring range
- Response threshold <0,01 N independent of measuring range
- Extremely rigid
- Very compact design

Description

Load washer for force measurement in the z direction. The force to be measured is transferred via the cover and base of the seal-welded steel case to the quartz sensor elements. When subjected to a mechanical load, quartz produces an electrical charge proportional to that load. The sensor sensitivity (a material constant of quartz) and thus the response threshold is practically the same in all load washers. This offers three unique advantages:

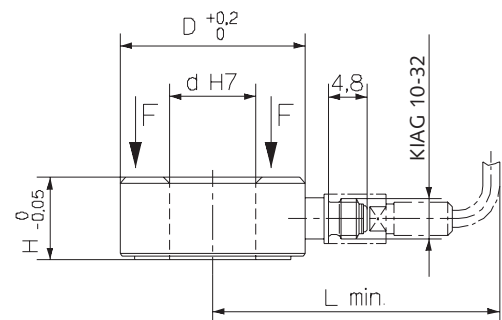
- Even very small forces can be measured with a sensor with a wide measuring range giving substantial overload safety.
- A sensor with a wide measuring range can be selected in cases where highest possible rigidity is required.
- Several sensors can be connected electrically in parallel to a single charge amplifier. The output voltage is then proportional to the sum of all active forces.

Application

For monitoring of industrial processes, force sensors are required, which can be easily installed in machinery. Robust design and reliability during continuous operation together with good repeatability of the measured values are additional characteristics of these sensors. Compared to the standard load washers Types 9011A ... 9041A with identical dimensions, these sensors accept a 50 % higher load. Selection of specific dimensions depends on the installation conditions as well as on the mounting conditions for the force shunt.

Application Examples

- Monitoring of compression forces during assembly, testing etc.
- Monitoring of forces during stamping and forming
- Measuring of large forces in force shunt mode



Technical Data

General Data

Sensitivity	pC/N	≈-4,3
Linearity	% FSO	<±2
Hysteresis	% FSO	<1
Threshold	N	<0,01
Insulation resistance	Ω	≥1·10 ¹³
Temperature coefficient of sensitivity F _z	%/°C	-0,02
Operating temperature range	°C	-50 ... 120
Max. shear force ¹⁾	kN	±0,1·F _v
Degree of protection according to EN60529		
with cable connected	IP	65
with cable Type 1983AD... and welded sensor	IP	67

¹⁾ F_v = preload

Technical Data

	Type	9101A	9102A	9103A	9104A
Measuring range F_z	kN	0 ... 20	0 ... 50	0 ... 100	0 ... 140
Overload F_z	kN	25	60	120	160
Max. bending moment M_x, M_y	N·m	15	60	130	240
Rigidity $c_z (F_z)$	kN/ μ m	1,8	3,5	6,0	7,5
Capacitance C	pF	23	37	54	55
Weight	g	8	21	38	57
Dimensions					
d	mm	6,5	10,5	13	17
D	mm	14,5	22,5	28,5	34,5
H	mm	8	10	11	12
L	mm	30	34	37	40

Sensor Mounting

Load washers should basically be used only preloaded in a mounting structure, either directly in the force flux of a separate component or in force shunt mode embedded in a machine structure. Whereas with direct force measurement, the largest part of the process force flows through the sensor, in the case of force shunt measurements it is loaded with only a very small part of the process force. Load washers are supplied uncalibrated, because in any case they must be calibrated in situ in the mounting structure for absolute measurements.

Direct Force Measurement in the Force Flux

With direct force measurement, almost the entire process force flows through the sensor. The measuring range must therefore be selected so that the sum of preloading force F_v and maximum occurring process force F_z is within the measuring range of the sensor. The mounting surfaces must be flat, rigid and ground (Fig. 3). The preloading bolt produces a force shunt of $\approx 7 \dots 10 \%$ and a correspondingly reduced sensitivity. In general, a preloading force of at least 20 % of the measuring range is recommended; with tensile forces this should be increased accordingly. If possible (considering the process force), preloading of 50 % of the measuring range should be used, because the tolerance with regard to bending moments is then at its greatest, see Page 4.

Important

In preloading, the force must be measured with the sensor itself, using the sensitivity stated in the Technical Data. Since the preloading screw produces a force shunt, the sensor must be calibrated again after mounting in order to determine the sensitivity of the particular measuring direction.

Sensor Mounting with Preloading Set Type 9422A...

This preloading set is not contained in the included accessories and must be ordered separately. It can be used to preload the sensor up to 30 % of its range. The centering clamp is used to center the sensor with the screw (Fig. 1 and Table).

Important

The preloading screw produces a force shunt. The sensitivity is then reduced by approximately 7 % to 9 %.

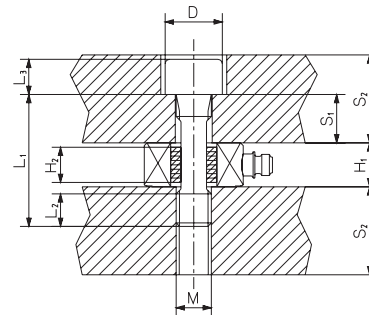


Fig. 1: Mounting with preloading screw Type 9422A... (see data sheet IN9001_000-182)

Sensor Type	Preloading Screw Type	Dimensions										Preload F_v [kN]	Force Shunt %
		M	D	L ₁	L ₂	L ₃	H ₁	H ₂	S ₁	S ₂			
9101A	9422A11	M5x0,8	8,5	20	6,5	5	8	6	4	10	≤ 5	≈ 8	
9102A	9422A21	M8x1,25	13	30	10	8	10	8	7	16	≤ 10	≈ 9	
9103A	9422A31	M10x1,5	16	35	12	10	11	8	9	20	≤ 20	≈ 9	
9104A	9422A41	M12x1,75	18	40	14,3	12	12	8	12	25	≤ 30	≈ 9	

9101A_000-108e-12.06

Sensor Mounting with Preloading Set Type 9420A...

This preloading set is not contained in the included accessories and must be ordered separately. Sets of special preloading elements are available for sensor Types 9101 ... 9104A (Fig. 2 and Table). These preloading bolts of high tensile steel can be used to preload the sensor up to 50 % of its range. At the same time, optimum introduction of force is ensured. A mounting set consists of a high-tensile stainless-steel preloading bolt, a centering sleeve and two insulating washers.

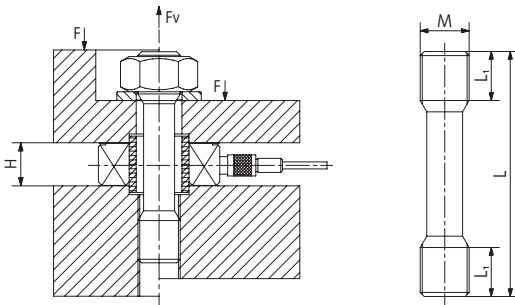


Fig. 2: Mounting with preloading screw Type 9420A... (see data sheet 9420A_000-192)

Force Distribution Rings

Contact surfaces must be flat and rigid. If they cannot be precision machined, punctiform overloads and damage to the sensor surface must be prevented by using a force distribution ring (Fig. 3).

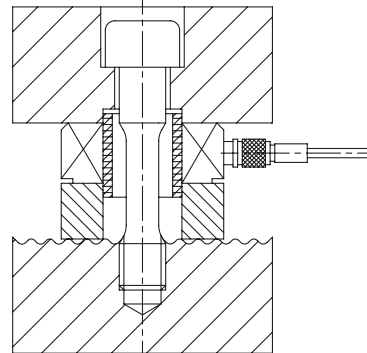


Fig. 3: Mounting with force distribution ring Type 9515 ... 9545

Sensor Type	Set of Preloading Elements Type	Dimensions				Preload Fv [kN]	Force Shunt %
		M	L	L ₁	H		
9101A	9420A11	M5x0,5	28	5	8	7	≈7
9102A	9420A21	M8x1	40	8	10	18	≈8
9103A	9420A31	M10x1	46	10	11	30	≈9
9104A	9420A41	M12x1	60	12	12	45	≈8

Bending Moment

Bending moments may not only have a negative influence on the measurement, but may even lead to destruction of the sensor. However, when the sensor is mounted in a thrust rod or a press punch, it is often impossible to avoid bending moments entirely.

The permissible value for the bending moment M_b is dependent on the sum of the preloading force F_v and the current process force F_z applied, in which the maximum possible bending moment $M_{b,max}$ is reached at $F_v+F_z = B/2$.

Maximum Possible Bending Moment

Type	Range Limit Value B [kN]	Max. Possible Bending Moment $M_{b,max}$ ($F_v + F_z = B/2$) [N·m]
9101A	20	15
9102A	50	60
9103A	100	130
9104A	140	240

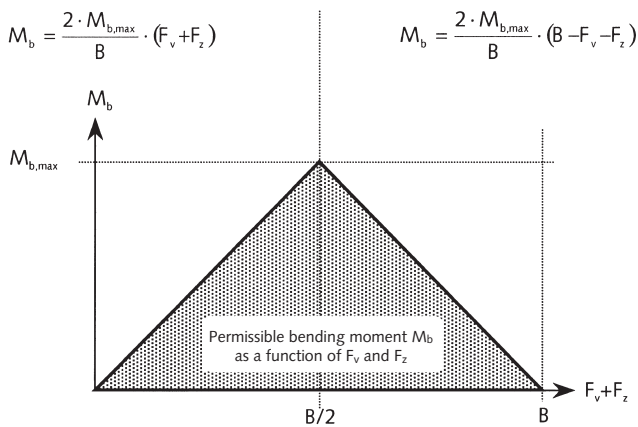
With the table values for B and $M_{b,max}$, the permissible pure bending moment as a function of the preload force F_v and the process force F_z can be estimated as follows:

$$(1a) M_{b,perm.} \leq \frac{2 \cdot M_{b,max}}{B} \cdot (F_v + F_z) \quad F_v + F_z \leq B/2$$

$$(1b) M_{b,perm.} \leq \frac{2 \cdot M_{b,max}}{B} \cdot (B - F_v - F_z) \quad F_v + F_z \geq B/2$$

In the bending moment graph, the equations (1) limit the range of the permissible bending moment as a function of F_v and F_z .

Bending Moment Graph



9101A_000-108e-12.06

Attention

If a bending moment $M_b = F_{x,y} \cdot h$ is produced by a lateral force $F_{x,y}$ at a distance h from the reference plane, this will lead to a shear force $F_{x,y}$ in the sensor plane. In this case, the maximum permissible bending moment is lower than the permissible value for a pure bending moment determined using the equations (1).

Example 1

A load washer Type 9103A is preloaded with 30 kN. What bending moment is acceptable for process forces in the range of 0 ... 50 kN?

$$F_v + F_{z,min} = 30 + 50 = 80 \text{ kN} \leq B/2 \rightarrow (1a) \rightarrow M_b \leq 208 \text{ N·m}$$

$$F_v + F_{z,max} = 30 + 0 = 30 \text{ kN} \geq B/2 \rightarrow (1b) \rightarrow M_b \leq 182 \text{ N·m}$$

At no time must the bending moment be greater than 182 N·m.

Example 2

A load washer Type 9101A is preloaded with 6 kN. How wide is the measuring range with a bending moment of 4 N·m? By resolving (1) according to F_z , we get the equations (2) with which the permissible measuring range for the process force F_z can be calculated as a function of a bending moment.

$$(2a) F_{z,min} \geq \frac{B \cdot M_b}{2 \cdot M_{b,max}} - F_v$$

$$(2b) F_{z,max} \leq B \cdot \left(1 - \frac{M_b}{2 \cdot M_{b,max}}\right) - F_v$$

Inserting the values for B, $M_{b,max}$ and F_v produces the permissible measuring range for F_z

from (2a) $-1,33 \text{ kN} \leq F_z \leq 6 \text{ kN}$ from (2b).

Attention

Lateral forces $F_{x,y}$ and/or a torque M_z further reduce the measuring range.

When the equations (2a) and (2b) are resolved according to F_v , the minimum preload force required or the maximum permissible preload force can be calculated as a function of the other parameters.

Mounting in Force Shunt Mode

The widest variety of measuring problems can be solved with the load washer mounted in force shunt mode. The mounting surface must be flat and be ground as finely as possible. The sensor can be center aligned at both the inner and outer sheaths. For mounting as in Fig. 4, the measuring surface of the sensor and the separation surface of the machine structure must be machined together. In all cases, the sensor must be machined only on one side to a maximum of 0,20 mm. Depending on applications, the sensor is preloaded from 10 % to 20 % of the measuring range. This is done by placing a steel foil (a few μm thick) on the measuring surface of the sensor (Fig. 4) or by preloading with a special nut (Fig. 5).

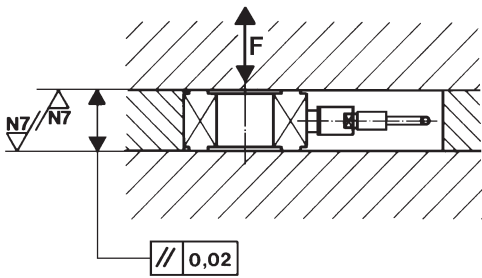


Fig. 4: Mounting for force shunt measuring

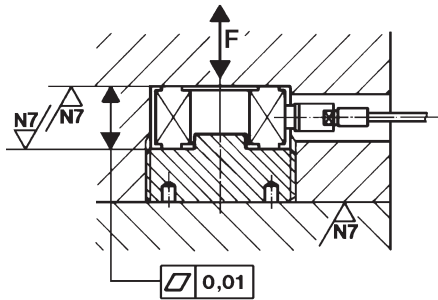


Fig. 5: Mounting for force shunt measuring

Connection

Only high-insulation coaxial cables with low capacitance producing only very low triboelectricity during movement must be used for connecting piezoelectric sensors. For industrial environments, we recommend using the types listed in the Accessories. For more stringent requirements in a harsh environment, the industrial, integrated cable connector KIAG 10-32 with O-ring is used. If required, the connector can be seal welded to the sensor case.

Connecting Cable for Sensors with KIAG 10-32 neg. Connector Type 1939A...






Connecting Cable for Sensors with KIAG 10-32 neg. Connector Type 1941A...









Connecting Cable for Sensors with KIAG 10-32 neg. Connector Type 1983AD...



Please refer to data sheet 1631C_000-346 for further information on the cables.

<p>Sensor Type 910xA</p> 	<p>Connecting Cable Type 1939A...</p> 	<p>Charge Amplifier Type 5863A2...</p> 
---	--	---

<p>Sensor Type 910xA</p> 	<p>Connecting Cable Type 1941A...</p> 	<p>Charge Amplifier Type 5073A121</p> 
---	--	--

<p>Sensor Type 910xA</p> 	<p>Connecting Cable Type 1983AD</p> 	<p>Charge Amplifier Type 5073A111</p> 
---	--	--

9101A_000-108e-12.06

Accessories Included

- none

Optional Accessories

- | | Type |
|---|-------------|
| • Set of preloading elements for load washers
(see data sheet 9420A_000-192) | 9420A... |
| • Preloading screw for load washers | 9422A... |
| • Force distribution ring for load washers
(see data sheet 9505_000-193) | 95x5 |
| • Spherical washer for load washers
(see data sheet 9505_000-193) | 95x3 |
| • Insulating washer for load washers
(see data sheet 9505_000-193) | 95x7 |
| • Force distribution cap for load washers
(see data sheet 9505_000-193) | 95x9 |

Ordering Key

Load washer 0 ... 20 kN	1
Load washer 0 ... 50 kN	2
Load washer 0 ... 100 kN	3
Load washer 0 ... 140 kN	4

Type 910 A

